

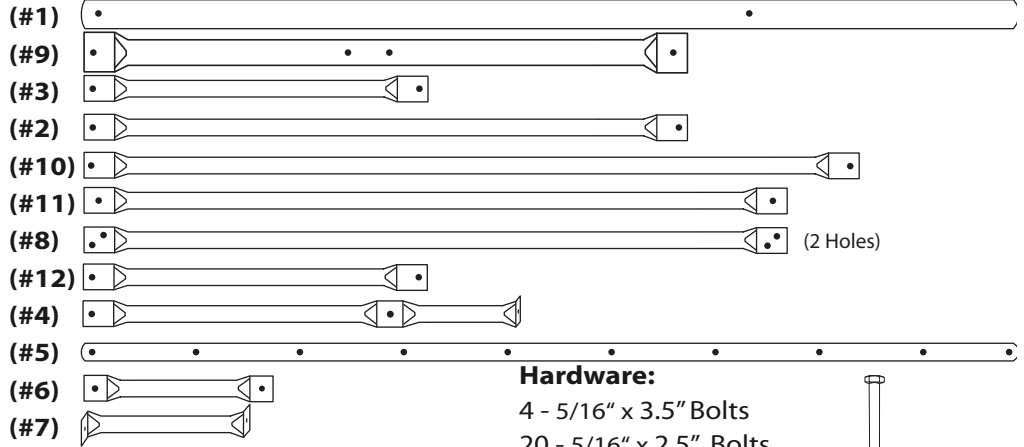


# 10 ft. "CONDO" TUFF BLIND TOWER INSTALLATION INSTRUCTIONS

**TOOLS REQUIRED:** 2 - 1/2" Open end box wrenches

**PACKAGE CONTAINS:**

- 4 - 10' x 1 1/2" Legs
- 2 - 86" x 1 1/2" Upper Braces (front/rear)
- 2 - 43" x 1" Upper Braces (sides)
- 2 - 86" x 1" Lower Braces (sides)
- 2 - 120" x 1" Lower Braces (front/rear)
- 2 - 103" x 1" Angle Supports (sides)
- 4 - 103" x 1" Angle Supports (front/rear)
- 4 - 44 1/2" Floor Joists
- 2 - 5' Floor Joist w/Upper Ladder Braces
- 2 - 10' x 1" Ladder Side Rails
- 9 - 17" Ladder Rungs
- 2 - 17" Lower Ladder Braces
- 4 - Plastic Foot Pads

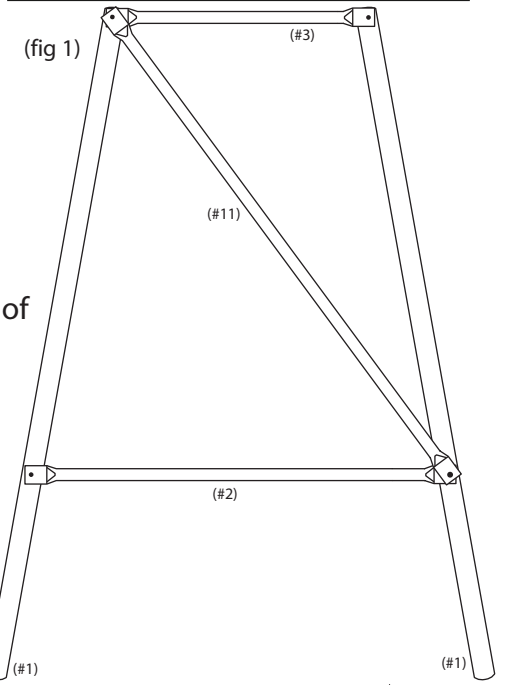


**Hardware:**

- 4 - 5/16" x 3.5" Bolts
- 20 - 5/16" x 2.5" Bolts
- 24 - 5/16" x 1.75" Bolts
- 48 - 5/16" Nuts
- 8 - Fender Washers

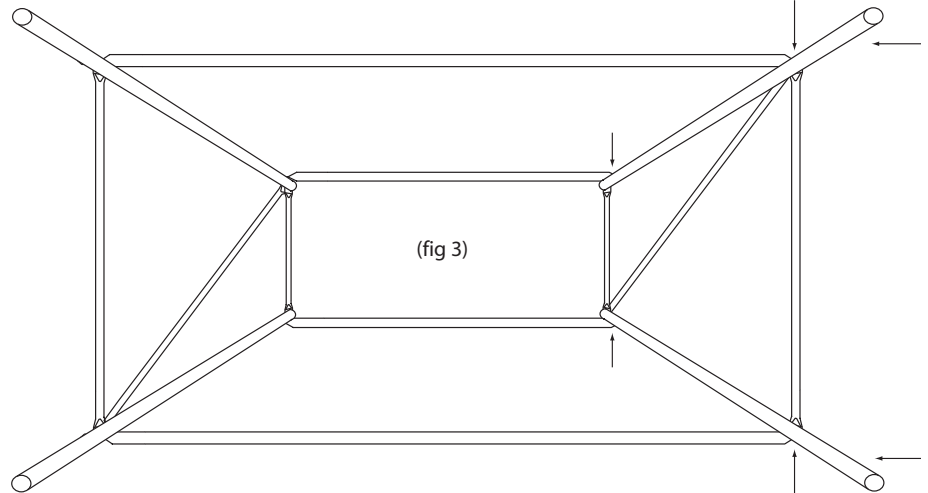
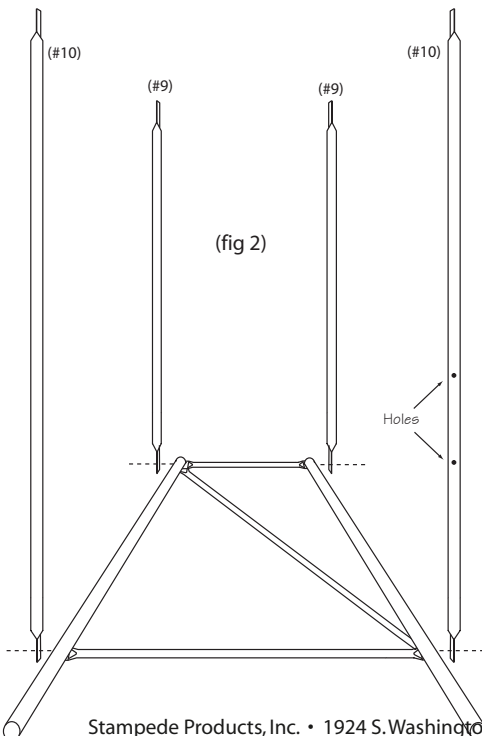
**Assemble two sides of the tower:**

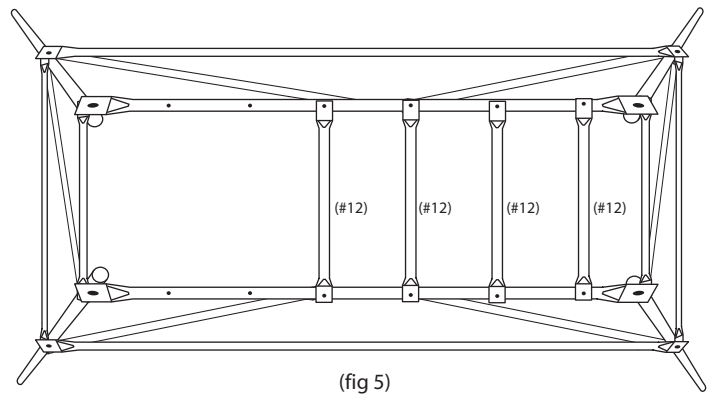
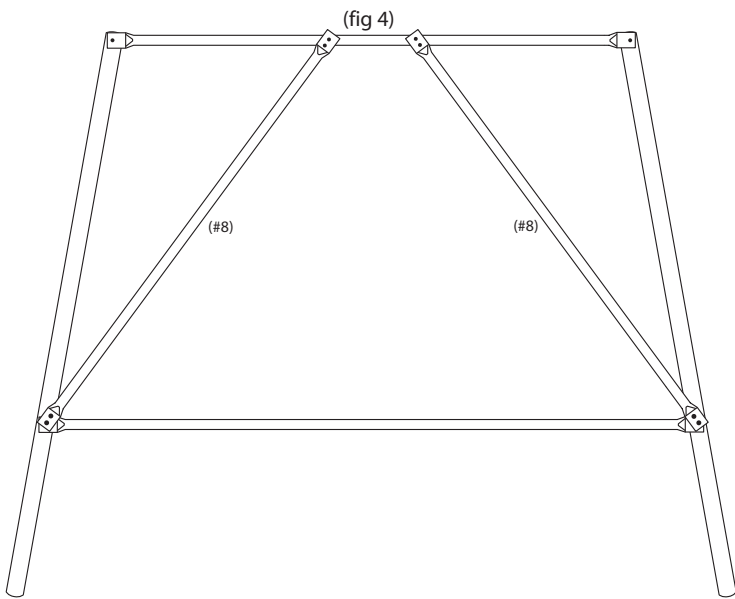
- Lay down 2 legs (#1) with the holes facing up.
- Set the upper (#3) and lower (#2) side braces onto the legs forming a large Letter A
- Attach the angle support (#11) (oriented from the top left to the lower right) to the side braces and the legs with the 2.5" bolts. (fig 1)
- Repeat for other tower side.



**Assemble the front and back of the tower:**

- Flip one of the tower sides over so the angle braces are facing down.
- Attach the lower (#10) and upper (#9) front/rear braces vertically onto each of the legs. (fig 2)
- Roll the entire tower 90 ° and attach the second side to the front/rear braces. (fig 3) **Continued on Back...**



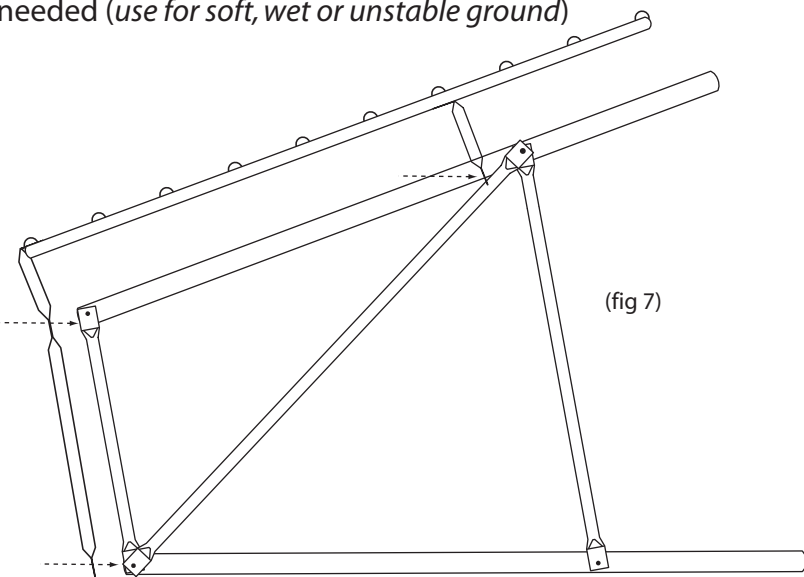
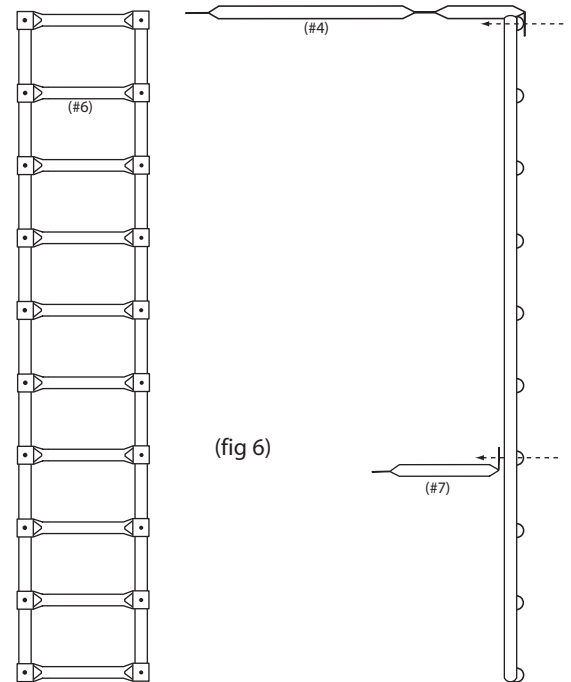


### Assemble the front and back of the tower (cont.)

- Attach the 4 angle supports (#8) to the front and back. (fig 4)
- Attach the 4 floor joists (#12) to the top of the tower (fig 5)

### Assemble and attach the ladder:

- Lay out the 2 ladder side rails (#5) with the holes facing up..
- Attach the 9 ladder rungs. (#6) Leaving the washers and nuts off the top rung and 4th rung from the bottom of the ladder.
- Flip the ladder over
- Attach the 2 lower ladder braces (#7) to the protruding bolts at the back of the 4th rung ensuring the flat tab is pointing upwards.
- Attach the 2 upper ladder braces (#4) with the flat mounting tabs over the top rung. (fig 6)
- Attach the ladder assembly to the holes in the top and lower braces. (fig 7)
- Stand upright and install the plastic foot pads to the ends of the legs if needed (*use for soft, wet or unstable ground*)



### Attach the Blind to the Stand:

- Secure the Blind to the Stand with 2 bolts inserted through the holes in the bottom of each of the upper side braces. (#3)