



"CONDO" TUFF BLIND ASSEMBLY INSTRUCTIONS

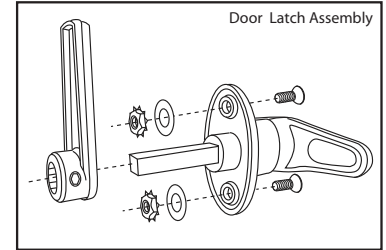
PACKAGE CONTENTS:

- | | | | |
|------------------------|------------------------------|---------------------------|---------------------------|
| 5 - Walls | 1 - Door Latch Assembly | 6 - Large Tinted Windows | 60 - Self Drilling Screws |
| 1 - Wall/Door Assembly | 18 - 1/4"x 1" Carriage Bolts | 6 - Large Solid Windows | 60 - Quick Clips |
| 2 - Roofs | 36 - Carriage Bolt Nuts | 12 - Small Tinted Windows | 60 - Screw Caps |
| 2 - Wood Floor | 15 - 1/4" x 20 x 1" Bolts | 12 - Small Solid Windows | 40 - Self Piercing Screws |
| 1 - Floor Threshold | 15 - 1/4" x 20 Nuts | 2 - Accessory Trays | |
| | 30 - 1/4" Washers | | |

TOOLS REQUIRED:

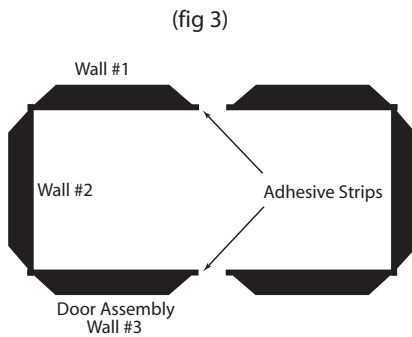
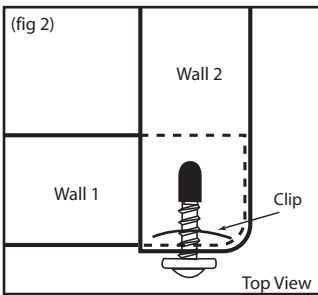
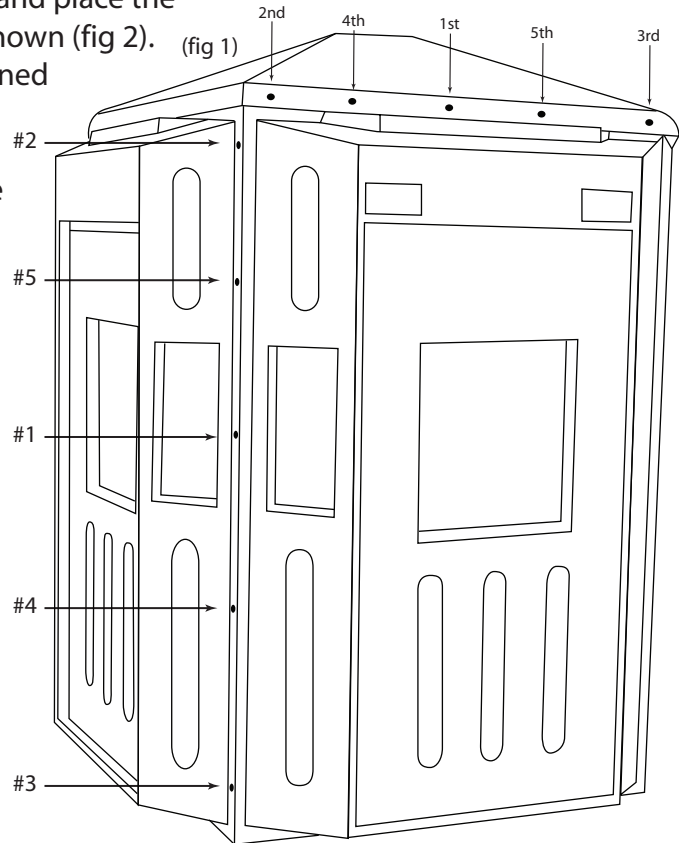
- Power Drill
- #2 Phillips Bit
- 7/16" Open End Wrench
- 7/16" Socket w/ratchet
- 1/8" Allen Wrench

Install the door latch: Insert the latch assembly into the pre-drilled holes in the door panel. Insert the screws provided in the door handle hardware pack through the front of the handle and secure with the washer and lock nut from inside the door panel. Turn the handle so it is vertical, and from inside the blind, slide the lock arm onto the shaft so it is 90° to the handle. Slide it onto the shaft until it makes contact with the striker panel on the door frame of the blind and tighten down with a 1/8" allen wrench.



Assemble the walls: Stand the #1 and #2 (fig 3) wall pieces up and place the inside groove of one wall to the outside groove of another as shown (fig 2).

Attach the two walls together using a self-drilling screw positioned midway between the top and bottom of the small windows where the walls overlap (fig 1- #1). Attach wall #3 in the same manner. Start the #2 and #3 screws 3" down from the top of the blind and 3" up from the bottom. Finish with the #4 and #5 screws as shown. Attach the #3 wall in the same manner, leaving one end of the blind open. Once all the screws are in place, from inside the blind, place quick clips on the backs of the screws and cover the pointed ends with plastic screw caps (fig 2). Assemble the 3 wall pieces for the other half of the blind in the same manner.



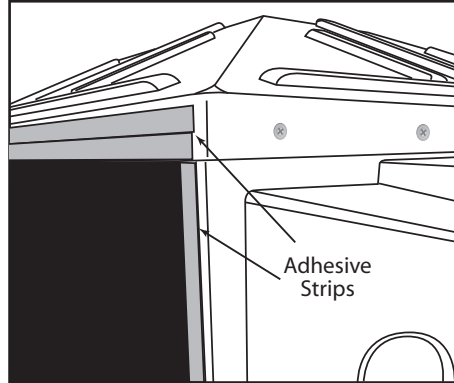
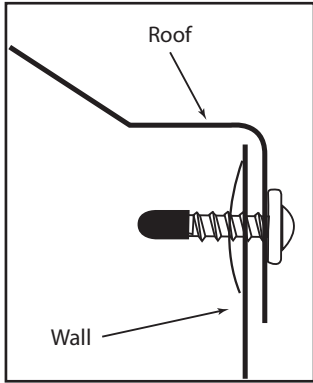
Join the 2 Sections:

1. Peel the red backing from the adhesive tape and slide the 2 halves together making sure they line up correctly.
2. From inside the blind drill a 1/4" hole at the midway point (fig 1- #1) through both of the vertical blind edges where the halves come together and secure with a 1/4" x 1" bolt with washers on both halves of the blind. Next Drill 1/4" holes at (fig1 - #3 #4 #5) and secure halves together with bolts and washers.
3. Place the roof section with the red adhesive tape on the blind ensuring the walls of the blind are inside the lip of the roof (fig 4). Attach the roof to the walls with the self-drilling screws starting from the center point, followed by the outermost screws placed at 3" in from the sides, and finally the middle screws. Place the other roof onto the blind with the side that has the small dimple on the lip facing the adhesive of the other roof. Peel the backing off the adhesive and secure the roofs together. Fasten the 2nd roof to the blind walls in the same fashion as the first roof.
4. From inside the blind drill 1/4" holes 1" down from the top of the blind along the vertical inside seam where the 2 halves come together and secure with a 1/4" x 1" bolt w/washers. Drill (5) 1/4" holes along the horizontal seam along the top where the roofs meet and secure with 1" bolts (w/washers on both sides).

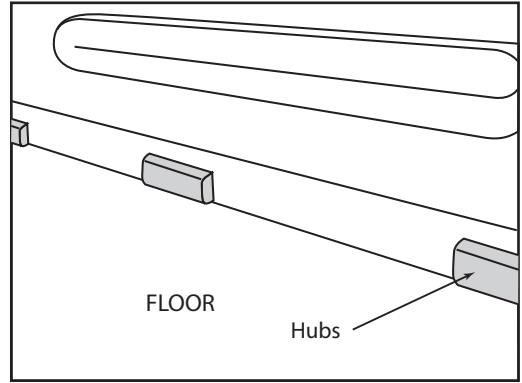
Install the Floor. Install the plywood floors by setting them into place inside the blind through door. Stepping on the floor will "snap" it into place underneath the hubs, locking it into position (fig 5). Insert the threshold into the seam between the floors and attach with (10) 9/16" self piercing screws (see fig 6). Lay the blind on it's side and using the 9/16 self-piercing screws, secure the bottom lip of the blind to the plywood floor with 5 screws per side.

Install the windows: Thread a nut 1/4" onto a 1 1/4" carriage bolt. From inside the blind, insert the carriage bolt through one of the holes above a window opening and tighten down with another nut on the outside of the blind wall. From inside the blind insert the window panes into the slots in the frame with the solid pane to the outside and the thumbhole pointing up. Repeat for remaining windows.

(fig 4)

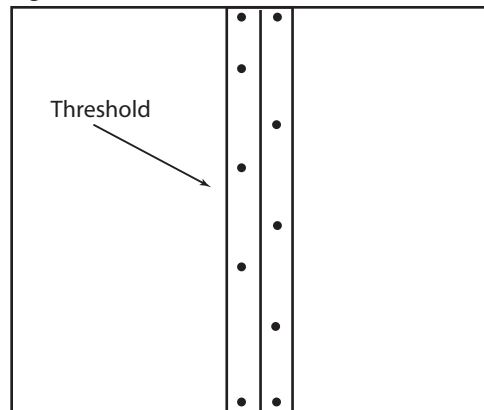


(fig 5)



Install the Accessory Trays: Attach the accessory trays with 3 Self Drilling Screws underneath any of the large windows you choose (fig 7) (except the window in the door). Install quick clips and plastic screw caps to the ends of the screws.

(fig 6)



(fig 7)

