



# TUFF BLIND ASSEMBLY INSTRUCTIONS

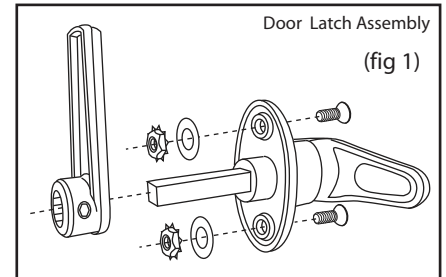
### PACKAGE CONTENTS:

- |                        |                          |                                  |                                 |
|------------------------|--------------------------|----------------------------------|---------------------------------|
| 3 - Walls              | 4 - Large Tinted Windows | 1 - Door Latch Assembly          | 20 - 9/16" Self Piercing Screws |
| 1 - Wall/Door Assembly | 8 - Small Tinted Windows | 1 - Instruction Sheet            | 45 - Self Drilling Screws       |
| 1 - Roof               | 4 - Large Solid Windows  | 12 - 1/4" x 1 1/4" Carrige Bolts | 45 - Quick Clips                |
| 1 - Wood Floor         | 8 - Small Solid Windows  | 24 - 1/4"x20 Carrige Bolt Nuts   | 45 - Screw Caps                 |

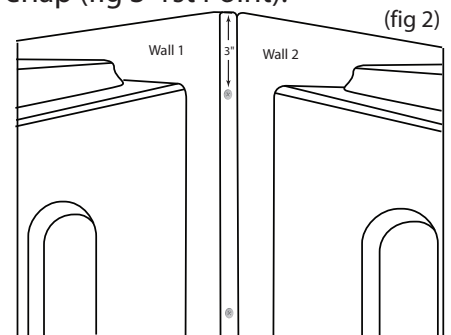
### TOOLS REQUIRED:

- Power Drill
- #2 Phillips Bit
- 7/16" Open End Wrench
- 7/16" Socket w/ratchet
- 1/8" Allen Wrench

**1 Install the door latch:** Insert the latch assembly into the pre-drilled holes in the door panel. Insert the screws provided in the door handle hardware pack through the front of the handle and secure with the washer and lock nut from inside the door panel. Turn the handle so it is vertical, and from inside the blind slide the lock arm onto the shaft so it is 90° to the handle (fig 1). Slide it onto the shaft until it makes contact with the striker panel on the door frame of the blind and tighten down with a 1/8" allen wrench.

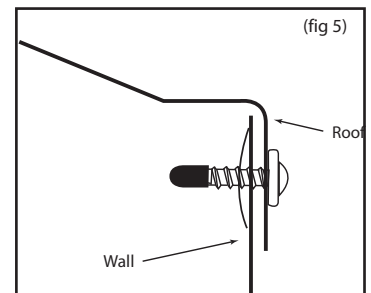
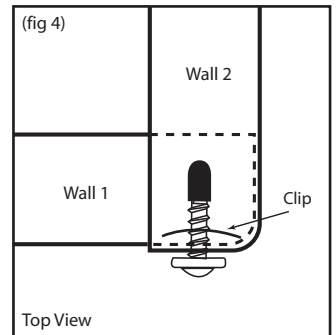
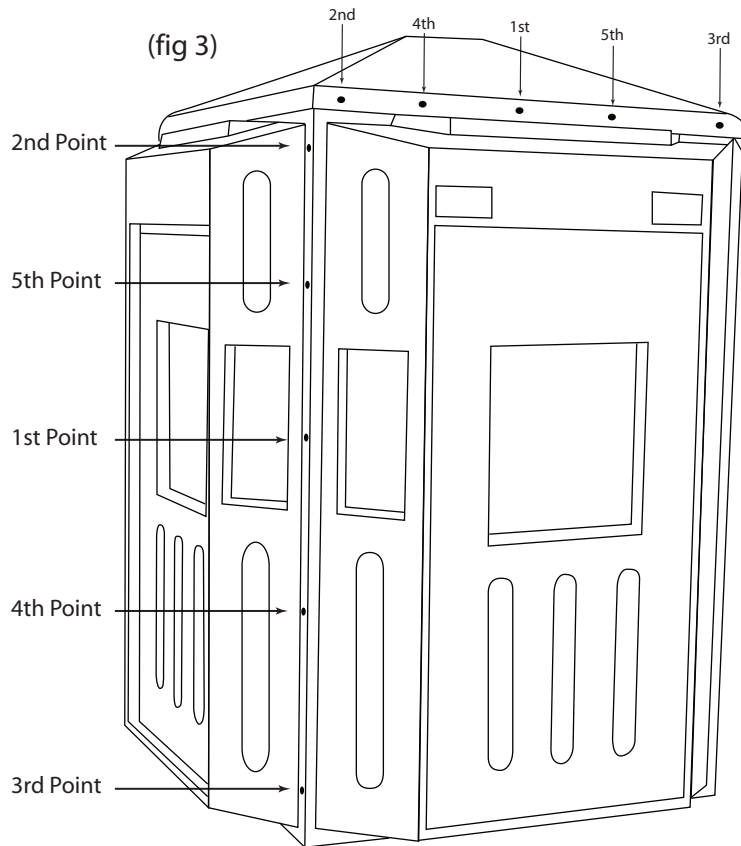


**2 Assemble the walls:** Stand 2 of the wall pieces up and place the inside groove of one wall to the outside groove of another as shown (fig 2). Attach the two walls together using a self-drilling screw positioned midway between the top and bottom of the small windows where the walls overlap (fig 3-1st Point). Attach the remaining walls in the same manner. Start the 2nd and 3rd point screws 3" down from the top of the blind and 3" up from the bottom. Finish with the 4th and 5th points as shown (fig 3) and repeat for the remaining walls. Once all the screws are in place, from inside the blind place quick clips on the backs of the screws and cover the pointed ends with plastic screw caps (fig 4).



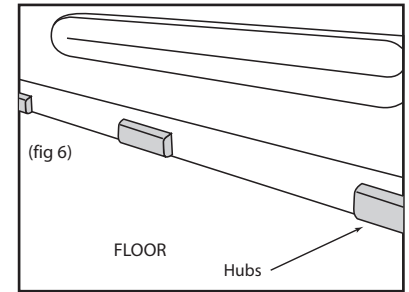
### 3 Assemble the roof:

Place the roof on top of the blind with the 4 walls inside the lip of the roof. Attach the roof to the walls with the self-drilling screws starting from the center, followed by the outtermost screws placed at 3" in from the sides, and finally the middle screws in between (fig 3). Repeat for the other 3 roof sides. From inside the blind place clips on backs of the screws and cover the pointed ends of the screws with the plastic caps. (fig 5).



Continued on back -->

- 4 Assemble the floor:** Insert the ½ inch plywood floor by setting it into place inside the blind through door. Stepping on the floor will "snap" it into place underneath the hubs, locking it into position (fig 6). Lay the blind on it's side and using the 9/16 self-piercing screws, secure the bottom lip of the blind to the plywood floor with 5 screws per side.



- 5 Install the windows:** Thread a nut ¼" onto a 1¼" carriage bolt. From inside the blind, insert the carriage bolt through one of the holes above a window opening and tighten down with another nut on the outside of the blind wall. From inside the blind insert the window panes into the slots in the frame with the solid pane to the outside and the thumbhole pointing up. Repeat for remaining windows.

- 6 Install the Accessory Trays:** Attach the accessory trays with 3 Self Drilling Screws underneath any of the large windows you choose (fig 7) (except the window in the door). Install quick clips and plastic screw caps to the ends of the screws.

